

Seiki Industrial i3 PC - 17"

Specifications

Performance

CPU	Intel® Core i3-6100U, 2.3 GHz
System Memory	SO-DIMM DDR4, 8GB (Max. 32GB)
SSD	64 GB SSD SATA

Design & Display

Casing	Aluminium, ventless and fanless design
Weight	9kgs
Dimensions	446 x 118 x 388mm (WxDxH)
Screen Sizes	17" TFT LCD Display
Resolution	1280 x 1024
Colour	Black

Touch Screen

Touch Type	5 Wire Resistive Touch Screen
Brightness	250cd/m² brightness

Power Consumption

DC Output	12V 6A
AC Input	100V-240V

Software

O/S	MS® Windows® 7 Professional (64 Bit) or MS® Windows® 10 Pro (64 Bit)
-----	---

Interfaces/Ports

RS232	3 (RJ48 type)
Mini PCI-e	2
USB 2.0	3 (1 external, 2 beneath PSU cover)
PS/2	1
VGA	1

Audio & Voice

Audio	1x Line-out port
Voice	1x Microphone-in port

Network

LAN	10/100/1000 Mbps (RJ45 port)
WIFI	802.11 b/g/n Wireless Lan (optional)

Environmental

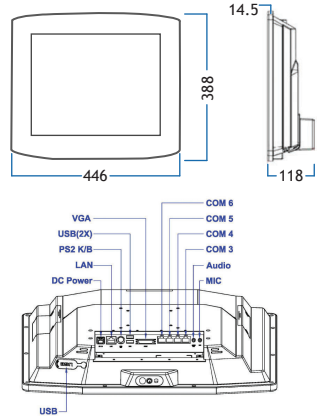
IP Rating	IP66
Certifications	FCC/CE
Operating Temp.	0°C to +40°C

Warranty

24 months return to base warranty

Seiki Industrial PC features include:

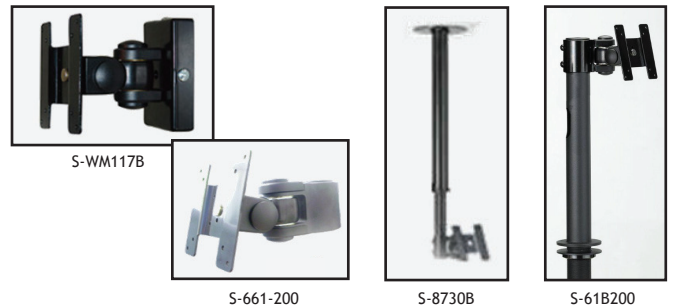
- 17" TFT LCD display and resistive touch screen
- Ventless and fanless system
- Fully ruggedised - IP66 Certification
- Operating temperatures from 0°C to +40°C
- Shock tested up to 1G
- Aluminium casing with an industrial NANO coating



With its fanless design, specifically developed for use in rigorous environments, Seiki industrial PCs are the ideal tool to help you enhance work efficiency and offer safe working environments on the shop floor.

Mounting Options

We offer a choice of mounting brackets and poles to ensure the most suitable, space saving solution for your environment.



S-WM117B | Deluxe Wall Mount Bracket

Movement Adjusts the screen tilt & swivel.

S-8730B | Ceiling Mounting Bracket

Movement Adjusts the screen right or left, upward or downward. Firmly fixes to the ceiling

S-61B200 | VESA Mounting Pole

Movement Adjusts the screen right or left, upward or downward. Desktop/surface mounting

S-661-200 | Second VESA Mounting for Pole Mount

Movement Second VESA mounting bracket for use with VESA mounting pole

NOTE: All mounting options hold LCD monitors up to 12 kgs and use standard VESA mounts (75 x 75mm and 100 x 100mm)

